

Idaho High School Activities Association

2004 State Volleyball



Tournament Manual

**United Dairymen of Idaho
The Official Sponsor of IHSAA
State Championship Events**

2004-2005 State Tournament Host Hotels

The following hotels have agreed to serve as the 2004-2005 State Tournament Host Hotels by providing complimentary rooms for tournament officials. We appreciate their generous support and urge member schools to patronize these Partners in Youth Development.

BOISE (EAST)

HOLIDAY INN	3300 Vista Ave.	208-344-8365
DOUBLETREE CLUB HOTEL	475 W. Parkcenter Blvd.	208-345-2002
RED LION PARKCENTER	424 E. Parkcenter Blvd.	
HAMPTON INN	3270 S. Shoshone	208-331-5600
FAIRFIELD INN BY MARRIOTT	3300 S. Shoshone	208-331-5656

BOISE (WEST) / TREASURE VALLEY

SHILO INNS & RESORTS	FOUR AREA LOCATIONS	
Nampa Suites	1401 Shilo Dr., Nampa	208-465-3250
Nampa Blvd	617 Nampa Blvd., Nampa	208-466-8993
Boise Airport	4111 Broadway, Boise	208-343-7662
Boise Riverside	3031 Main, Boise	208-344-3521
HAMPTON INN	5750 E Franklin Rd., Nampa	208-442-0036
RODEWAY INN	1115 N. Curtis Rd, Boise	208-376-2700

COEUR D'ALENE AREA

COEUR D'ALENE INN	414 W Appleway, CDA	208-765-3200
SHILO INN	702 W Appleway, CDA	208-664-2300

IDAHO FALLS AREA

SHILO INN	780 Lindsey Blvd., IF	208-523-0088
RED LION IF HOTEL	475 River Parkway, IF	208-523-8000

POCATELLO AREA

POCATELLO CONVENTION AND VISITORS BUREAU	208-235-7659
---	---------------------

Pocatello area hotels have agreed to share in providing rooms for IHSAA officials. For accommodations at tournament rates contact the Convention and Visitors Bureau.

TWIN FALLS AREA

SHILO INN	1586 Blue Lakes Blvd., T.F.	208-733-7545
BURLEY INN	800 Overland Ave, Burley	208-678-3501

TABLE OF CONTENTS

GENERAL INFORMATION

Table of Contents	3
State Tournament Managers	4
Admission.....	4
Tournament Admission Policy	4
All-Tournament Teams.....	4
Awards.....	4
Crowd Control.....	4
Lost and Found.....	5
Dressing Rooms.....	5
Motel Conduct/Headquarters.....	5
National Anthem	5
Sportsmanship Rules	5
Number of Players.....	5
Official Volleyball.....	5
Official Rules.....	5
Pairings, Sites and Times.....	5
1A Pool Play.....	6
Brackets	6-8
Parade of Athletes.....	8
Pep Bands, Pep Clubs, etc.	9
Pre-Tournament Practice	9
Programs.....	9
Protests	9
Representation	9
Rosters and Team Pictures	9
T-Shirts.....	9
Towels	9
Training Room.....	10
Warm-up Between Matches	10
Warm-up and Practice Between Games	10

MEDIA INFORMATION

Media Credentials.....	10
TV Rights	10

OFFICIALS

Assignment.....	10
Line Judges.....	10
Official Scorer	10

PRE TOURNAMENT MEETINGS

5A / 4A Location.....	10
3A / 2A Pre tournament Meeting	10
1A Location / Pre-Tournament Meeting	10
Hospitality Room	10
Dressing Rooms	10
District Play-Offs	11
State Volleyball Records.....	11

Site Tournament Managers

5A

Date: October 29 - 30
Site: Idaho Falls High School
Mgr.: Lance Miller
Idaho Falls High School
601 S Holmes
Idaho Falls 83201
Ph.: 525-7740

4A

Date: October 29 - 30
Site: Bonneville High School
Mgr.: Dale Gardner
Bonneville High School
3165 E Iona Road
Idaho Falls 83401
Ph: 525-4406

3A

Date: October 29 - 30
Site: Shelley High School
Mgr: Dwight Richins
Shelley High School
570 Fir Street
Shelley 83274
Ph: 357-7400 ext 901

2A

Date: October 28 - 30
Site: Hillcrest High School
Mgr.: Travis Mitchell
Hillcrest High School
2800 Owen Street
Idaho Falls 83406
Ph.: 525-4429

1A

Date: October 28 - 30
Site: Declo High School / Burley School (One day only)
Mgr.: Jay Darrington / Gary Hoxsey
Declo High School / Burley High School
505 Eastman / #1 Bobcat Blvd (2100 Parke Ave.)
Declo 83323 / Burley 83318
Ph.: Jay Darrington 654-2030
Ph.: Gary Hoxsey 878-6606

Admission

Tournament Pass - General	\$20.00
Tournament Pass - Discount	\$10.00
General Admission	\$ 5.00
Discount Ticket	\$ 4.00

Students in grades 1-6 and students in grades 7-12 with an activity card may purchase the discount ticket. Children under 6 admitted free.

Tournament Admission Policy

Coaches participating in the tournament will gain admission with a tournament pass issued from the tournament manager. It should be emphasized that the coach's IHSAA activity card number will be treated as having only ONE ADMISSION ELIGIBLE for each session. **Only one person will be admitted on the participating coach's IHSAA activity card** if the coach has been issued a tournament pass.

Statisticians, bus drivers, pep club members, additional cheerleaders, and additional band members will need to purchase tickets unless the principal or other administrator of the participating school arranges for these people to be admitted by signing the special form at the admission gate. The school will be invoiced later.

All-Tournament Teams

The IHSAA is philosophically opposed to all-tournament team selections.

If the media wishes to conduct a poll, that is no concern of ours, but we do not want to condone it by announcing it at the tournament.

Awards

Trophies will be awarded to first, second, third, and fourth place teams. Medals will be awarded to members of the Champion and Runner-up teams. The presentation of awards will be as follows: The fourth place and third place trophies will be awarded at the conclusion of those matches. The second place and championship trophies will be presented at the conclusion of the championship game. The runner-up trophy will be awarded and the coach will introduce each of the players and present them with their medal. The same procedure will be followed for the championship trophy and medal presentation.

Crowd Control

The IHSAA wishes to continue close supervision of the crowds at state tournaments and asks for the continued support and cooperation of administrators in enforcing the following rules:

1. No one other than authorized individuals will be allowed on the floor.
2. Persons jumping the railing or other barrier to enter the floor area will be removed from the premises for the remainder of the tournament.
3. Parents of participants will not be allowed on the floor.

Lost and Found

The lost and found will be at the tournament manager's office.

Dressing Rooms

Dressing rooms will be assigned daily, but due to limited space, teams are encouraged to dress in their motel rooms. Arrangements can be made to lock up valuables.

Motel Conduct

Each year a few athletes create a bad image for the rest by their uncontrolled behavior in motels. Coaches are encouraged to check rooms closely upon arrival and at departure. Please make sure athletes are properly supervised.

Motel Headquarters

See the inside front cover for the motels designated as headquarters for the state volleyball tournament. We encourage all schools to take advantage of their special rates.

National Anthem

The National Anthem will be played Friday morning prior to match 1, at the conclusion of the Parade of Athletes ceremony prior to match 6, and on Saturday morning prior to match 9.

Sportsmanship Rules

Noisemakers

Artificial noisemakers such as bells, whistles, air horns, megaphones and balloons are prohibited. Each school is responsible for the conduct of its students, and with cooperation we can ensure that all teams play in a fair, sportsmanlike atmosphere.

Signs

Signs and banners will be limited to the area in front of each school's cheering section. Please do not tape signs to painted surfaces. Posters and/or banners must show only positive support. Those which direct negative comments towards opponents or are unsportsmanlike or vulgar are not permitted.

Face Painting

Full face painting is not permitted. Partial face painting is permitted such as small markings on the cheeks, nose or forehead.

Attire

Bare chests are not permitted. Shirts must be worn.

Number of Players

Each school represented at the tournament may have twelve players in uniform at the start of competition. Passes will be provided for twelve players, two managers and one assistant coach. If more than twelve players are in uniform at the start of competition, the match shall be forfeited. EXCEPTION: 5A and 4A teams may suit 15 players. A maximum of 20 people, composed of players, managers, coaches, statisticians and trainers, may be seated on the floor.

Official Volleyball

Official 18-panel leather volleyball.

Official Rules

National Federation rules for rally scoring will be used for all Idaho volleyball games.

Pairing, Sites and Times

1A Thursday, October 30 — Declo; Jay Darrington

Match 1	11:00 a.m.	Match 4	3:30 p.m.
Match 2	12:30 p.m.	Match 5	6:00 p.m.
Match 3	2:00 p.m.	Match 6	7:30 p.m.

1A Thursday Pool Play
Rally scoring: best 2/3 will be used for pool play on Thursday

<u>Declo High School</u>		<u>Burlev H.S</u>	
Net 1	Net 2	Net 1	Net 2
Pool A	Pool B	Pool C	Pool D
4A	3A	1A	2A
2B	5-6A	4B	3B
3C	4C	5-6B	1B
3E	2C	3D	4D
4A	3A	1A	2A
3C	4C	5-6B	4D
2B	5-6A	4B	3B
3E	2C	3D	1B
4A	3A	1A	2A
3E	2C	3D	1B
3C	4C	4B	3B
2B	5-6A	5-6B	4D

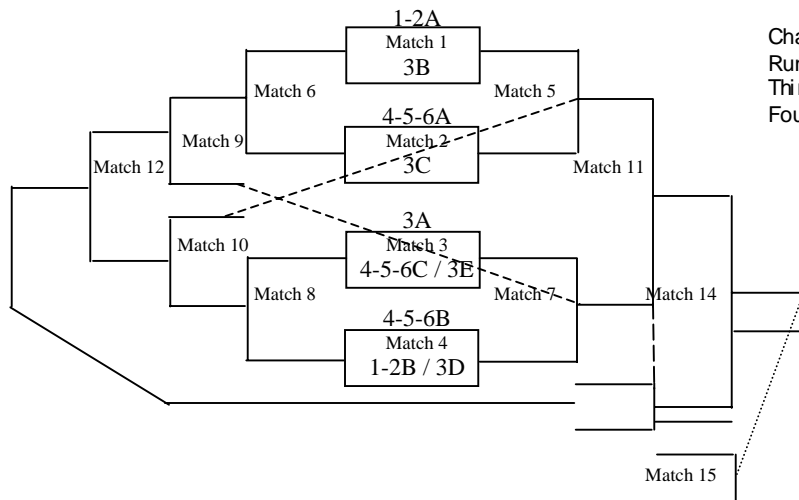
Tie breaker: matches won/lost; games won/lost; points for/against/coin toss

Friday/Saturday Time Schedules.

<u>Friday</u>		<u>Session 3</u>	<u>Session 4</u>
<u>Session 1</u>	<u>Session 2</u>	Match 9	Match 13
Match 1 8:30 a.m.	Match 5 3:30 p.m.	9:00 a.m.	4:00 p.m.
Match 2 10:00 a.m.	Match 6 5:15 p.m.	Match 10 10:30 a.m.	Match 14 5:30 p.m.
Match 3 11:30 a.m.	Match 7 6:45 p.m.	Match 11 12:00 p.m.	Match 15 7:00 p.m.*
Match 4 1:00 p.m.	Match 8 8:15 p.m.	Match 12 1:30 p.m.	*(if necessary) 2/3 will be used in game 15 if played

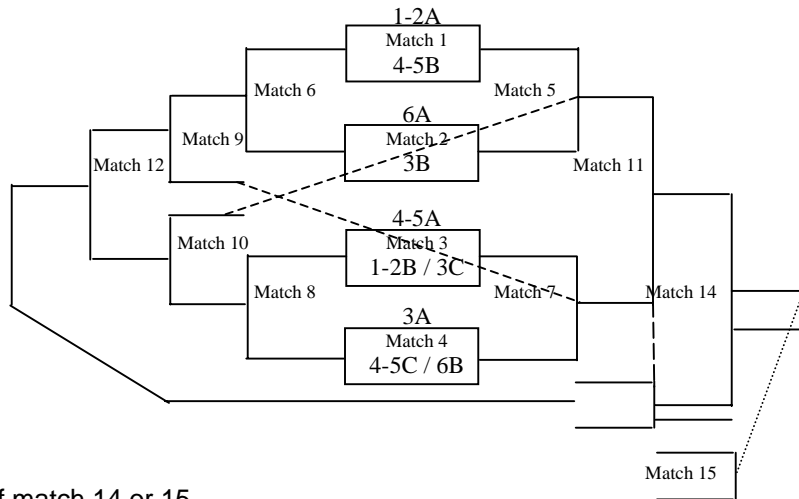
Saturday

5A — Idaho Falls High School



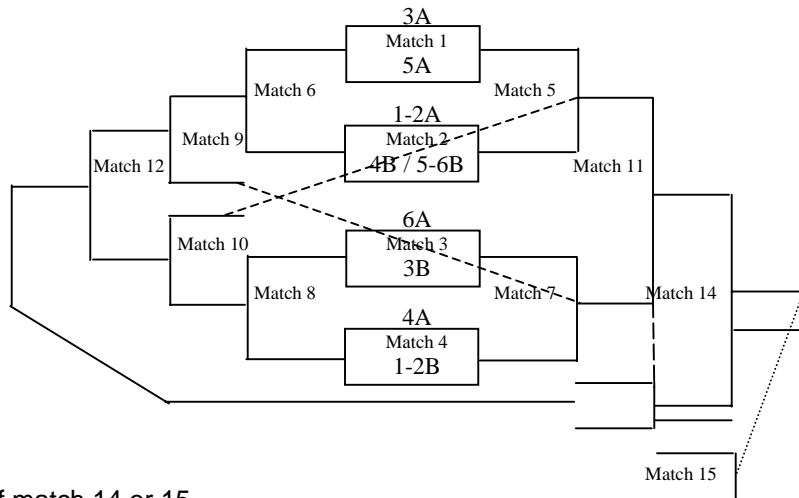
Champion - Winner of match 14 or 15
 Runner-up - Loser of match 14 or 15
 Third place - Loser of match 13
 Fourth place - Loser of match 12

4A —Bonneville High School



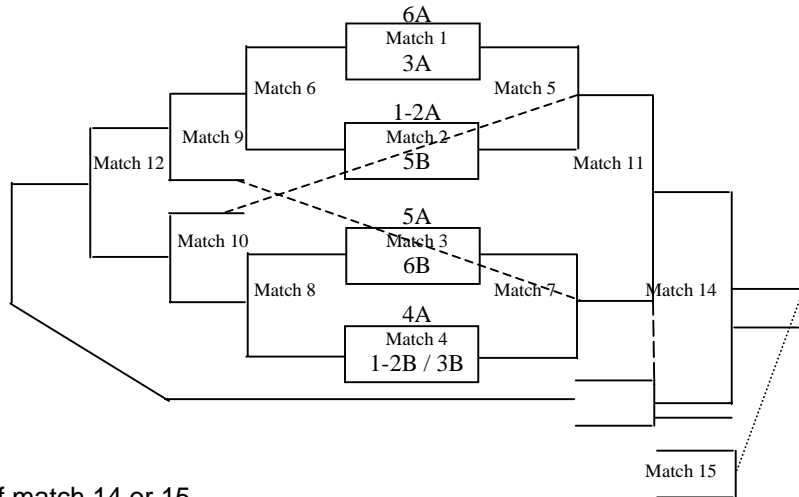
Champion - Winner of match 14 or 15
 Runner-up - Loser of match 14 or 15
 Third place - Loser of match 13
 Fourth place - Loser of match 12

3A —Shelley High School



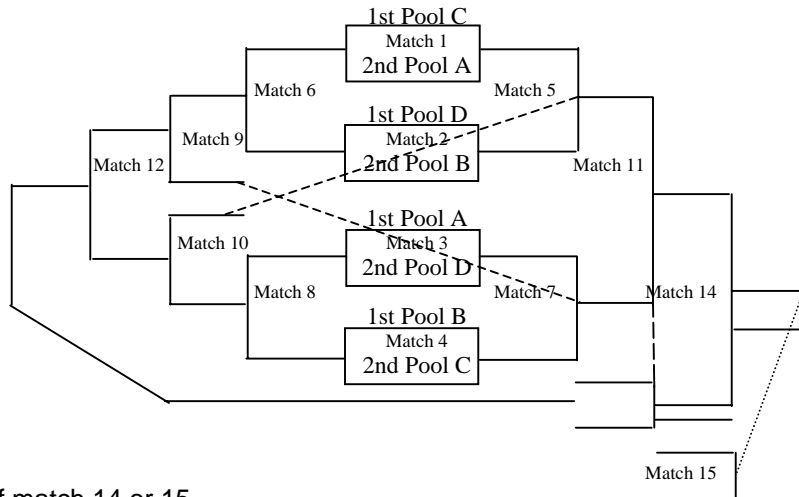
Champion - Winner of match 14 or 15
 Runner-up - Loser of match 14 or 15
 Third place - Loser of match 13
 Fourth place - Loser of match 12

2A — Hillcrest High School



Champion - Winner of match 14 or 15
 Runner-up - Loser of match 14 or 15
 Third place - Loser of match 13
 Fourth place - Loser of match 12

1A — Declo High School



Champion - Winner of match 14 or 15
 Runner-up - Loser of match 14 or 15
 Third place - Loser of match 13
 Fourth place - Loser of match 12

Parade of Athletes

Prior to match 6 on Friday, we will have the Parade of Athletes. The parade adds considerable color and pageantry to the state tournament, but we must rely on the help of all teams to make it work.

Fifteen minutes prior to the start of the parade, coaches should take their players, managers, and assistants to the designated meeting area. The school superintendents, principals, and athletic directors are also invited to join their teams in the parade. Teams should be dressed in court shoes and warm-up uniforms. Details of the parade will be discussed at the coaches' meeting on Thursday and Friday.

The National Anthem will be played after all teams are in place. Upon completion of the National Anthem, teams should leave the court in an orderly fashion. The four teams playing in match 6 will proceed to their respective benches for match play.

Pep Bands, Pep Clubs, Cheerleaders

1. Seating - Pep bands and pep clubs must use the assigned area.
2. Pep Bands - Schools may have forty-five pep band members admitted free. Schools may bring more band members, but the school will be billed later for the difference. A band director or school official must be present at the time the band is admitted. NOTE: Pep bands may play only during games in which their team participates. Pep bands may play before the match, at time outs, and between games, but PLAYING DURING A LIVE BALL IN EITHER GAME IS PROHIBITED.

Each pep band will be responsible for its own instruments. There are no special facilities for storing instruments at the tournament site. Please bring instruments ONLY to the game in which your team participates. Drums and other instruments are to be used only when the entire pep band plays.

3. Pep Club - All students must present their activity cards to be admitted for the student price. A special seating area will be reserved for the pep club. NOTE: So that preparations can be made for seating, please let the tournament manager know a week in advance if your school's pep band or pep club will attend the tournament.
4. Cheerleaders - All participating schools may have twelve cheerleaders in uniform admitted free.

Pre-Tournament Practice

A volleyball team will be allowed to practice once at a state tournament site during the week prior to the state tournament, providing arrangements can be made. Practice balls will be provided at the tournament sites. Contact your tournament manager for practice times.

Programs

The composition, printing and selling of programs is the responsibility of the IHSAA. Each team will receive two complimentary programs from the IHSAA.

Protests

The IHSAA Board of Directors does not recognize protests of sports officials' decisions. Correction of errors can only be handled in accordance with the National Federation rules.

Representation

5A		4A		3A		2A		1A	
<u>Dist.</u>	<u>Rep.</u>	<u>Dist.</u>	<u>Rep.</u>	<u>Dist.</u>	<u>Rep.</u>	<u>Dist.</u>	<u>Rep.</u>	<u>Dist.</u>	<u>Rep.</u>
I-II	1.5	I-II	1.5	I-II	2	I-II	1.5	I	2
III	3.5 + .5	III	2.5	III	2	III	1.5	II	3
IV-V-VI	2.5	IV-V	2.5	IV	1.5	IV	1	III	5
		VI	1.5	V	1.25	V	2	IV	4
				VI	1.25	VI	2	VI	2

Rosters and Team Pictures

Team rosters and regular season scores may be submitted via our on-line, interactive form at idhsaa.org. Please send pictures as an attachment to an e-mail message as a high quality TIFF or JPG image to cherylm@idhsaa.org. Do not submit hard copies of rosters or scores. On-line rosters should be entered and all pictures received by 4:00 P.M., October 13 to insure placement in the program.

T-Shirts

T-shirts will be for sale at the tournament sites by McU Sports.

Towels

Dressing rooms will be assigned daily, but due to limited space, teams are encouraged to dress in their motel rooms. Towels will not be available and teams should bring their own towels for use at the bench. Teams are responsible to pick up litter from the floor of the locker room. Facilities are not available for drying and storage.

Training Room

Training room facilities and a trainer will be available for special assistance or in case of an emergency. Schools should plan to furnish their own tape and supplies.

Warm-up Between Matches

There will be a **maximum** of twenty minutes for pre-match warm-up between matches. The timer should start the clock when the referee starts the pre-match conference with the captains from the respective teams. The time schedule for the pre-match warm-up shall consist of the following 2-5-5-3:

- a. Two minutes: Coin flip to determine the serving and receiving teams.
- b. First 5 minutes: Serving team practices on the full court. Receiving team may practice ball handling outside the playing court.
- c. Next 5 minutes: Receiving team practices on the full court. Serving team may practice ball handling outside the playing court.
- d. Last 3 minutes: Both teams on the court practice serving over the net and receiving.

The warm-up period may be limited to 2-4-4-2 at the discretion of the tournament manager due to schedule requirements. If this becomes necessary, the periods shall consist of:

- a. First 2 minutes: Coin flip to determine serving and receiving teams.
- b. First 4 minutes: Serving team practices on the full court. Receiving team may practice ball handling outside of the playing court.
- c. Next 4 minutes: Receiving team practices on the full court. Serving team may practice ball handling outside of the playing court.
- d. Last 2 minutes: Both teams on the court practice serving and receiving over the net.

Each tournament site has an area designated for team stretching prior to the start of the pre-match warm-up period. **Teams shall not be allowed on the playing court until the clock is started for pre-match warm-ups.**

Warm-up and Practice Between Games

Teams will not be allowed to use the net for practice between games. The ball cannot cross the net.

MEDIA INFORMATION

Media Credentials

Members of the media should use their own media credentials for entrance to the tournament. For those who do not have such credentials, media passes will be issued upon request to the IHSAA or the tournament manager.

TV Rights

No contest may be filmed or videotaped without the expressed written consent of the IHSAA. (Exception: Schools may film or videotape their **own** games for private use.)

OFFICIALS

Assignment

All officials will be provided and assigned by the IHSAA. Each district will have an opportunity to provide an official for each state tournament.

Line Judges

Certified volleyball officials from the host district will be used as line judges whenever possible.

Official Scorer

Official scorers will be provided by the tournament management. The IHSAA will provide official scorebooks, line-up sheets, and team roster sheets.

Pre Tournament Meetings

5A Meeting:	Oct. 28	Idaho Falls H.S. Cafeteria	7:00 p.m.
4A Meeting:	Oct. 28	Idaho Falls H.S. Cafeteria	7:00 p.m.
3A Meeting:	Oct. 28	Idaho Falls H.S. Cafeteria	7:00 p.m.
2A Meeting:	Oct. 28	Idaho Falls H.S. Cafeteria	7:00 p.m.
1A Meeting:	Oct. 28	Best Western, Burley	8:00 a.m.

Hospitality Room

A room will be provided for coaches and officials. However, refreshments will not be provided.

Dressing Rooms

Will be assigned

District Play-offs

5A Play-offs

1-2B at Highland High School, Craigmont
 3D 3:30 p.m., Pacific time
 Sat., Oct. 23, 2004

4-5-6C at Filer High School
 3E 2:30 p.m.
 Sat., Oct. 23, 2004

4A Play-offs

1-2B at Highland High School, Craigmont
 3C 1:30 p.m., Pacific time
 Sat., Oct. 23, 2004

6B at Highland High School, Pocatello
 4-5C 1:30 p.m.
 Sat., Oct. 23, 2004

3A Playoff

5B Site: TBA
 6B Time: TBA
 October 21 Completion Date

5-6B at Highland High School, Pocatello
 4B 3:30 p.m.
 Sat., Oct. 23, 2004

2A Playoff

2B at McCall-Donnelly High School
 3B 2:30 p.m.
 Sat., Oct. 23, 2004

STATE VOLLEYBALL WINNERS

Class A		
1976	Snake River	Jan Goodwin
1977	Wood River	David Neumann
1978	Wood River	David Neumann
1979	Skyline	Donna Rosen
1980	Sandpoint	Pam Parks

Class B		
1976	McCall-Donnelly	Elise Kraus
1977	Hagerman	Aggie Brailsford
1978	Filer	Julie Astorquia
1979	Gooding	Joleen Toone
1980	Homedale	Sharon Frost

5A		
1981	Meridian	Hugo Jacobsmeyer
1982	Sandpoint	Irene Matlock
1983	Sandpoint	Irene Matlock
1984	Sandpoint	Irene Matlock
1985	Sandpoint	Irene Matlock
1986	Sandpoint	Shelly Siefried
1987	Coeur d'Alene	Kent Scanlon
1988	Madison	Bob Boice
1989	Madison	Bob Boice
1990	Pocatello	Alice Hunt
1991	Bonneville	Alane Pierce
1992	Madison	Bob Boice
1993	Centennial	Charlotte O'Dale
1994	Sandpoint	Jeff Hurst
1995	Sandpoint	Jeff Hurst
1996	Bonneville	David Albiston
1997	Highland	Tammy Christian
1998	Bonneville	David Albiston
1999	Sandpoint	Jeff Hurst
2000	Skyline	Tammy Sorensen
2001	Centennial	Ramey Uriarte
2002	Eagle	Paul Schwager
2003	Idaho Falls	Wendy Johnson

4A		
2000	Sandpoint	Jeff Hurst
2001	Bonneville	David Albiston
2002	Sandpoint	Jamie Poncho
2003	Sandpoint	Jamie Poncho

3A		
1981	Preston	Launa Moser
1982	St. Maries	Mitch Santos
1983	Preston	Launa Moser
1984	St. Maries	Mitch Santos
1985	St. Maries	Mitch Santos
1986	St. Maries	Mitch Santos
1987	St. Maries	Mitch Santos
1988	St. Maries	Mitch Santos
1989	St. Maries	Mitch Santos
1990	St. Maries	Mitch Santos
1991	St. Maries	Mitch Santos
1992	St. Maries	Mitch Santos
1993	St. Maries	Mitch Santos
1994	Preston	Launa Moser
1995	Preston	Launa Moser
1996	Emmett	Karen Alsager
1997	Bear Lake	Laura Cammack
1998	Bear Lake	Laura Cammack
1999	Bear Lake	Laura Cammack
2000	Bear Lake	Laura Cammack
2001	Bear Lake	Laura Cammack
2002	Preston	Launa Moser
2003	Sugar-Salem	Trisha Chatterton

2A

1981	Gooding	Joleen Toone
1982	Malad	Roslyn Brimhall
1982	Malad	Roslyn Brimhall
1984	Malad	Roslyn Brimhall
1985	Malad	Roslyn Brimhall
1986	Gooding	Joleen Toone
1987	Butte County	Kevan Kernan
1988	Malad	Roslyn Brimhall
1989	Butte County	Kevan Kernan
1990	Sugar-Salem	Bill Koehler
1991	Gooding	Joleen Toone
1992	Gooding	Joleen Toone
1993	Filer	Ed Richards
1994	Wallace	Dick Schreiber
1995	Firth	Randy Cox
1996	Butte County	Dean Goodworth
1997	Filer	Edward Richards
1998	West Side	Chris White
1999	West Side	Chris White
2000	Nampa Christian	Debi Downs
2001	Nampa Christian	Debi Downs
2002	Nampa Christian	Debi Downs
2003	Nampa Christian	Debi Downs

1A

1981	Hagerman	Aggie Brailsford
1982	Cambridge	Jon Hussman
1983	Troy	Lorry Stensland
1984	Ketchum	Nancy Parsons
1985	Clark County	Duke Hammond
1986	Greenleaf	Meredith Beals
1987	Genesee	Tom Patrick
1988	Cambridge	Carol Hill
1989	Dietrich	Denise Dwyer
1990	Shoshone	Larry Messick
1991	Cambridge	Terry Walker
1992	Cambridge	Terry Walker
1993	Shoshone	Larry Messick
1994	Cambridge	Terry Walker
1995	Troy	Bobbi Hazeltine
1996	Troy	Bobbi Hazeltine
1997	Troy	Bobbi Hazeltine
1998	Troy	Bobbi Hazeltine
1999	Troy	Kortnie Mills
2000	Genesee	Dave Neumann
2001	Genesee	Dave Neumann
2002	Troy	Tera Stoner
2003	Troy	Tera Stoner